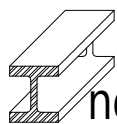


Tie-rod Bearing Plate - Double 4x6 FRP Wale - Detail

1/4"=1 Scale



Ingenium, Inc.TM

4085 Devereux Chase
Roswell, GA 30075
678.315.1751

Scale: NTS

Date: 6/26/19

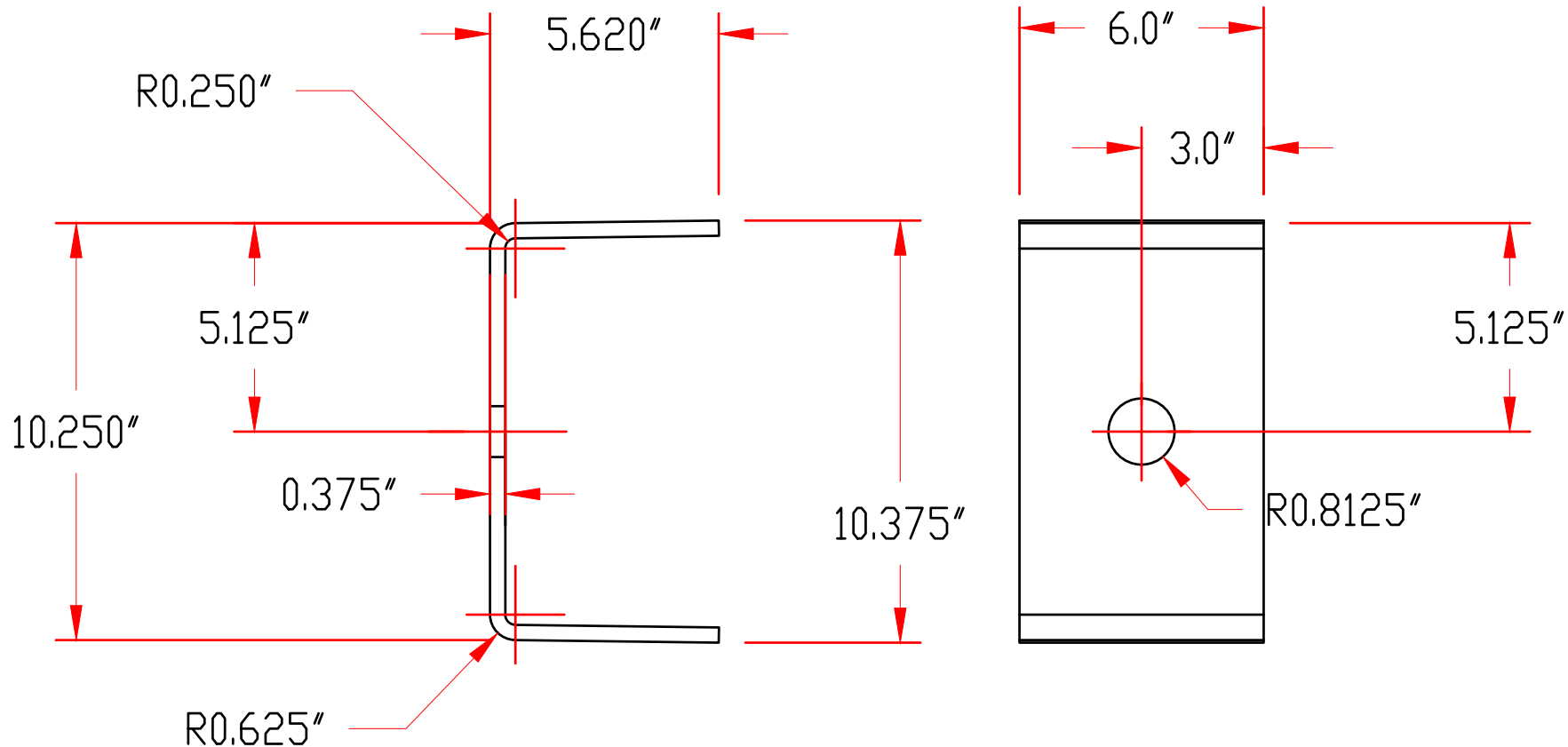
Project:
Double 4x6 FRP Tube Wale
Bearing Plate
(ESP-2FRPGBP4X6)

Revisions

Sheet 1 of 7

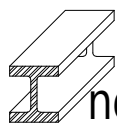
**SHOP
DRAWING**

Certified only with seal,
signature, and date



Tie-rod Bearing Plate - Double 4x7.5 FRP Wale - Detail

1/4":1 Scale



Ingenium, Inc.TM

4085 Devereux Chase
Roswell, GA 30075
678.315.1751

Scale: NTS

Date: 6/26/19

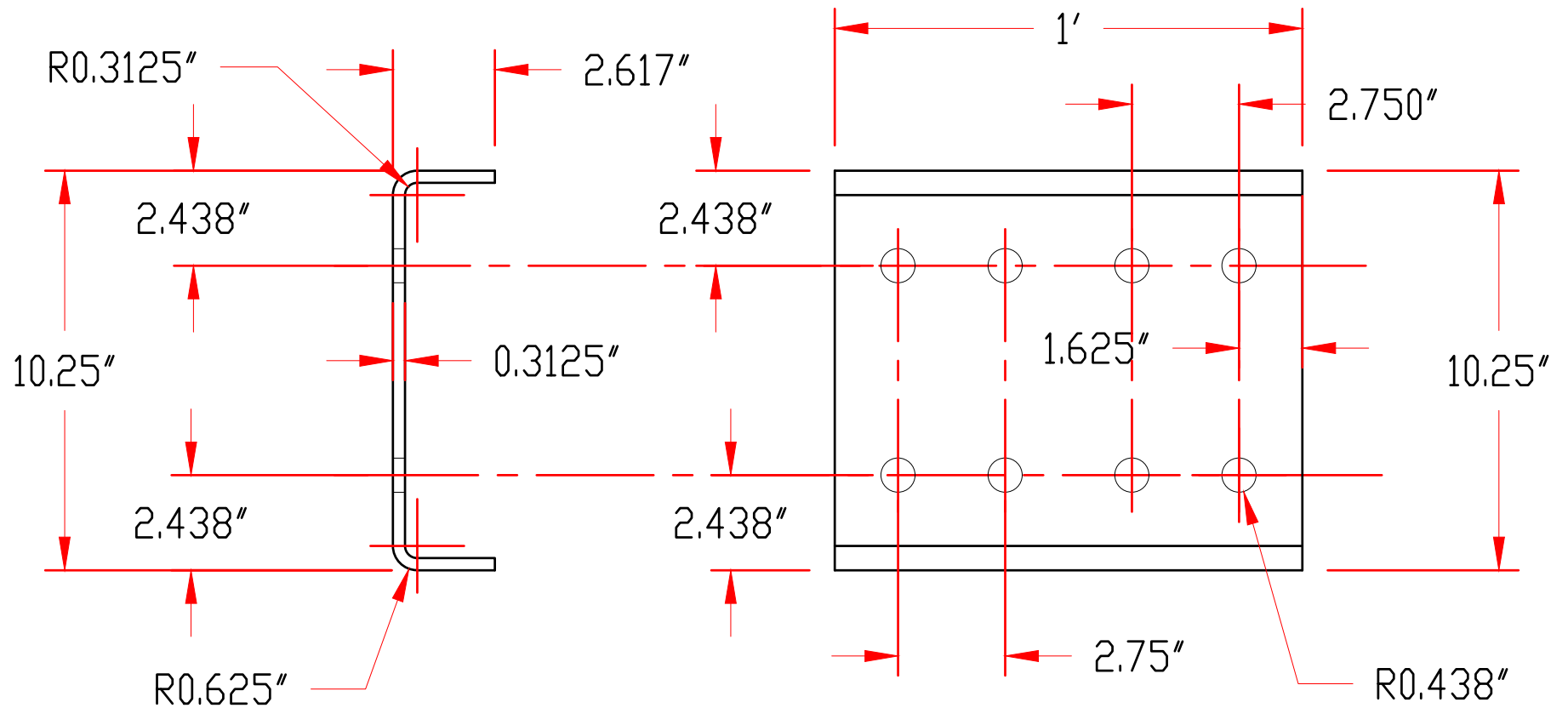
Project:
Double 4x7.5 FRP Tube Wale
Bearing Plate
(ESP-2FRPGBP4X75)

Revisions

Sheet 2 of 7

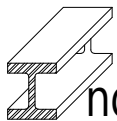
**SHOP
DRAWING**

Certified only with seal,
signature, and date



Splice Plate - Double FRP Wale - Detail

$\frac{1}{4}'' : 1$ Scale



Ingenium, Inc.TM

4085 Devereux Chase
Roswell, GA 30075
678.315.1751

Scale: NTS

Date: 6/26/19

Project:

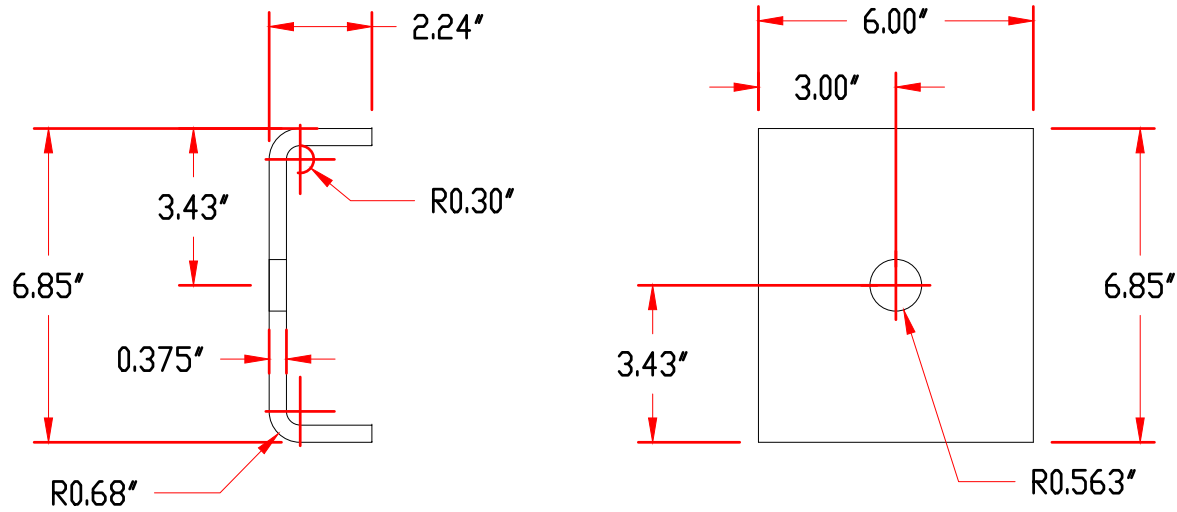
Double FRP Tube Wale
Splice Plate
(ESP-2FRPGSPP)

Revisions

Sheet 3 of 7

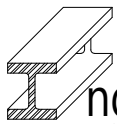
**SHOP
DRAWING**

Certified only with seal,
signature, and date



Tie-rod Bearing Plate - FRP 4x6 Wale - Detail

1/4"=1 Scale



Ingenium, Inc.TM

4085 Devereux Chase
Roswell, GA 30075
678.315.1751

Scale: NTS

Date: 6/26/19

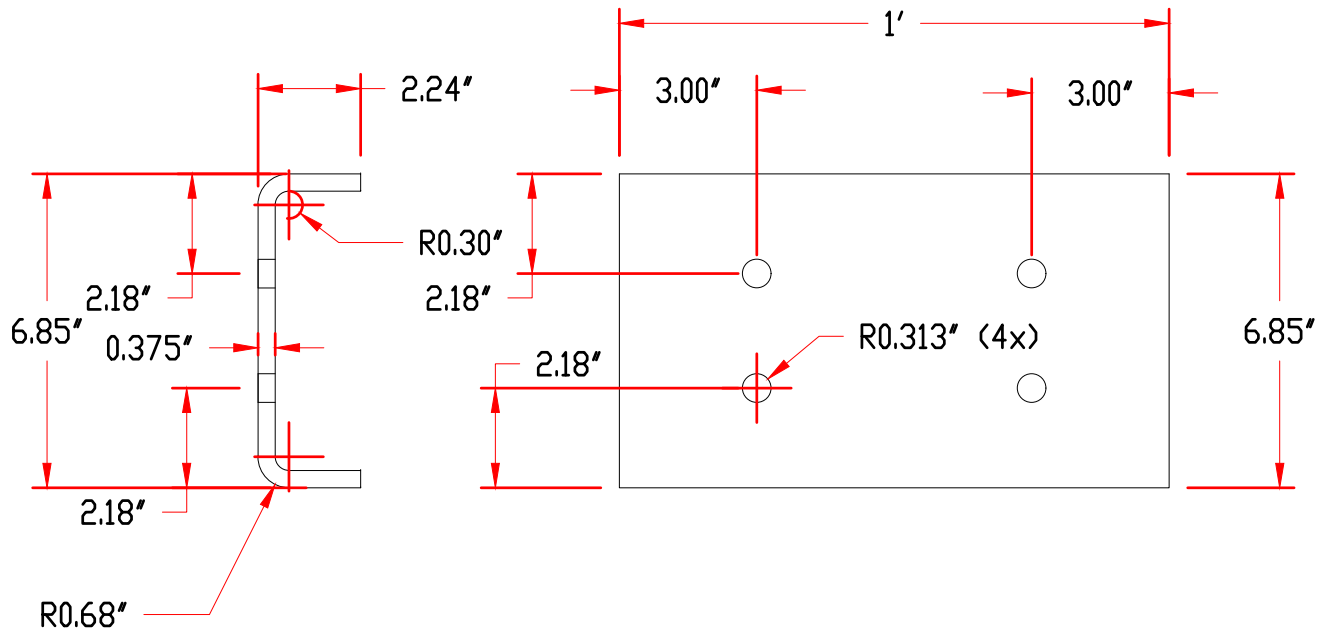
Project:
4x6 FRP Tube Wale
Bearing Plate
(ESP-4X6FRPGBP)

Revisions

Sheet 4 of 7

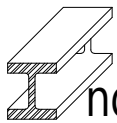
**SHOP
DRAWING**

Certified only with seal,
signature, and date



Splice Plate - FRP 4x6 Wale - Detail

$\frac{1}{4}$:1 Scale



Ingenium, Inc.TM

4085 Devereux Chase
Roswell, GA 30075
678.315.1751

Scale: NTS

Date: 6/26/19

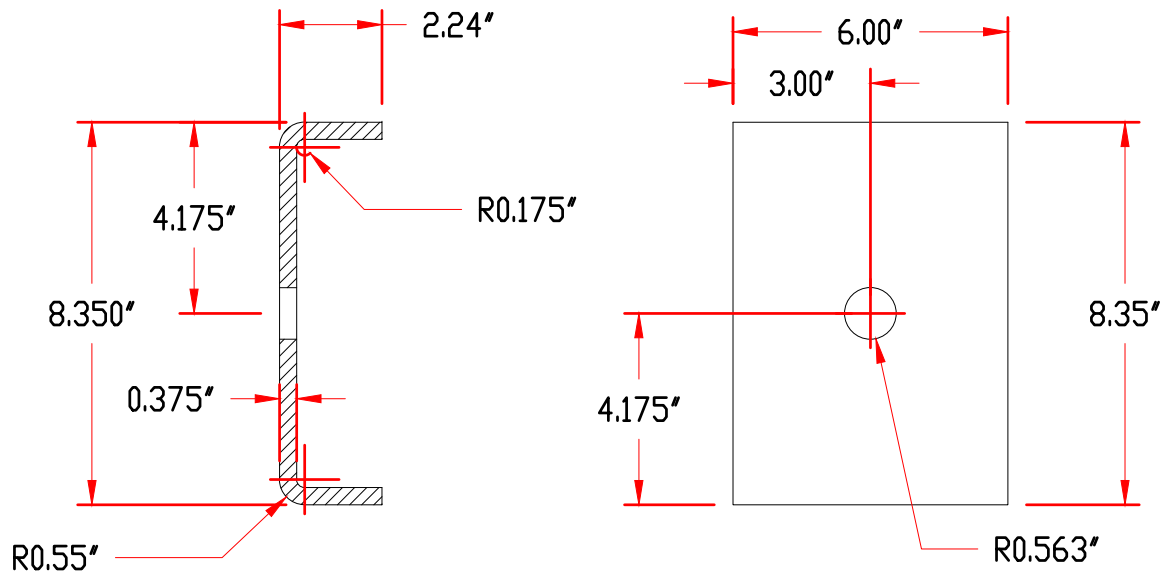
Project:
4x6 FRP Tube Wale
Splice Plate
(ESP-4X6FRPGSPP)

Revisions

Sheet 5 of 7

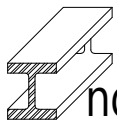
**SHOP
DRAWING**

Certified only with seal,
signature, and date



Tie-rod Bearing Plate - FRP 4x7.5 Wale - Detail

1/4":1 Scale



Ingenium, Inc.TM

4085 Devereux Chase
Roswell, GA 30075
678.315.1751

Scale: NTS

Date: 6/26/19

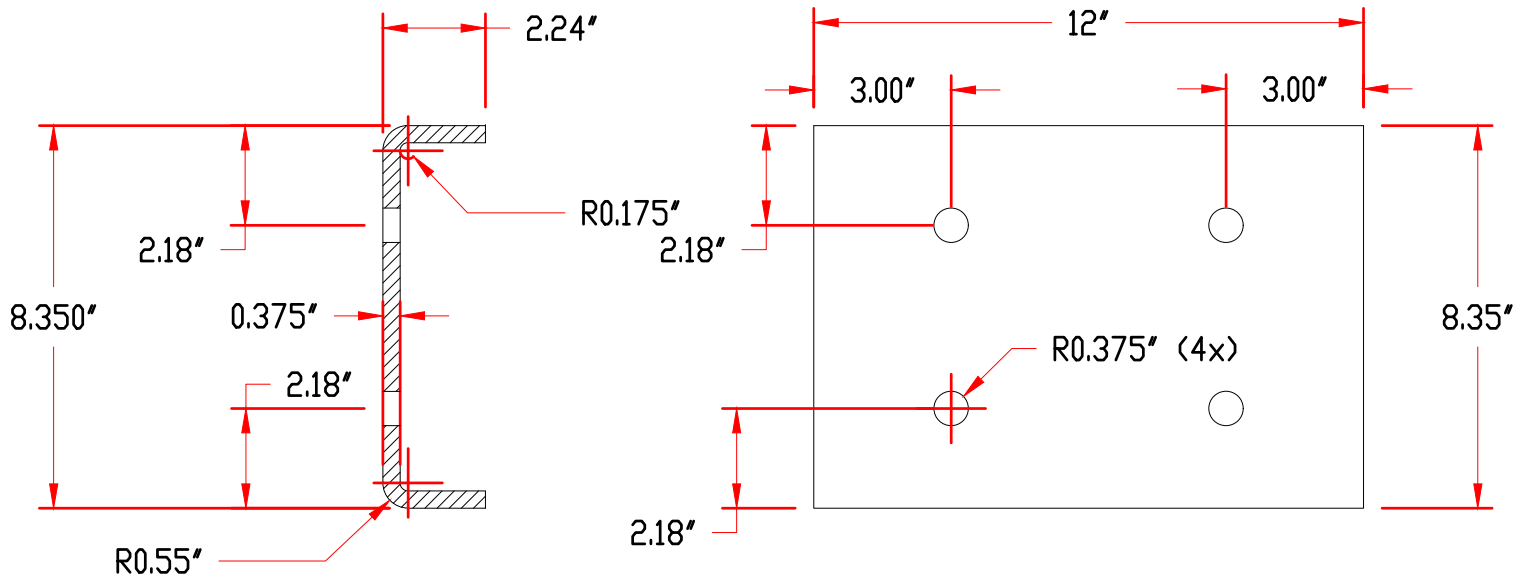
Project:
4x7.5 FRP Tube Wale
Bearing Plate
(ESP-4X75FRPGBP)

Revisions

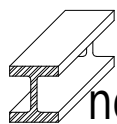
Sheet 6 of 7

**SHOP
DRAWING**

Certified only with seal,
signature, and date



Splice Plate - FRP 4x7.5 Wale - Detail
1/4":1 Scale



Ingenium, Inc.TM

4085 Devereux Chase
 Roswell, GA 30075
 678.315.1751

Scale: NTS

Date: 6/26/19

Project:
 4x7.5 FRP Tube Wale
 Splice Plate
 (ESP-4X75FRPGSPP)

Revisions

Sheet 7 of 7

**SHOP
 DRAWING**

Certified only with seal,
 signature, and date