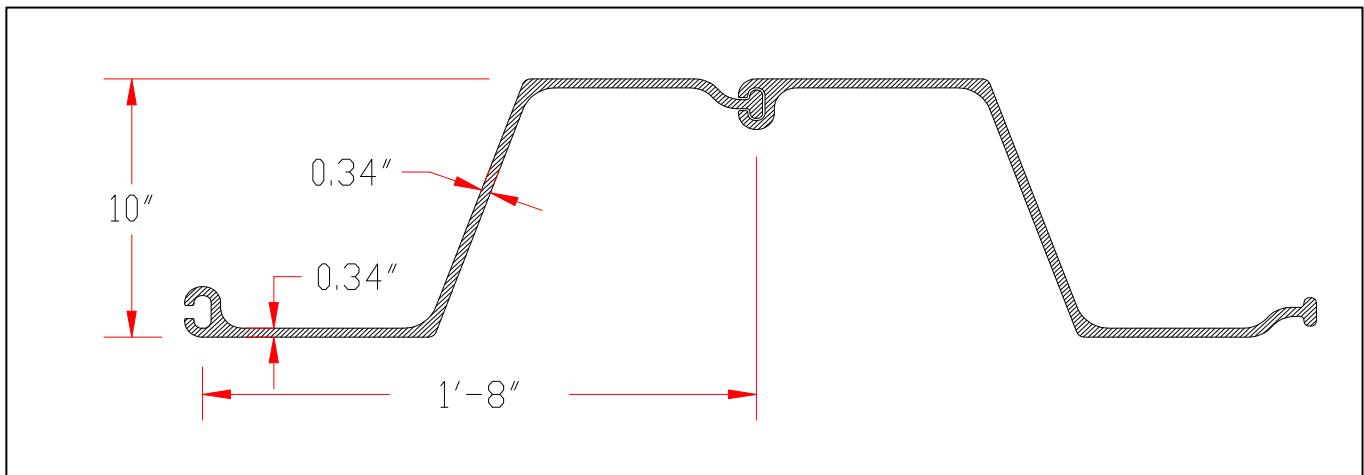


AL - Along length of sheet pile

AWS - Along width of sheet pile

| Property | Symbol | Units | Results | ASTM Test Method |
|----------------------------------|--------------------|-------|-----------|------------------|
| Flexural Stress: | | | | |
| Ultimate (AL) | $\sigma_{ult AL}$ | psi | 85,000 | D 790-03 |
| Recommended Allowable Stress(AL) | $\sigma_{all AL}$ | psi | 21,250 | ----- |
| Modulus of Elasticity (AL) | E_{AL} | psi | 3,600,000 | D 790-03 |
| Ultimate (AWS) | $\sigma_{ult AWS}$ | psi | 23,000 | D 790-03 |
| Modulus of Elasticity (AWS) | E_{AWS} | psi | 1,400,000 | D 790-03 |
| Tensile Stress: | | | | |
| Ultimate (AL) | $\sigma_{ult AL}$ | psi | 80,000 | D 638-03 |
| Recommended Allowable Stress(AL) | $\sigma_{all AL}$ | psi | 21,250 | ----- |
| Modulus of Elasticity (AL) | E_{AL} | psi | 3,900,000 | D 638-03 |
| Ultimate (AWS) | $\sigma_{ult AWS}$ | psi | 8,500 | D 638-03 |
| Modulus of Elasticity (AWS) | E_{AWS} | psi | 1,700,000 | D 638-03 |
| Shear Stress: | | | | |
| Ultimate (AL) | $T_{ult AL}$ | psi | 4,600 | D 3846-02 |
| Recommended Allowable Stress(AL) | $T_{all AL}$ | psi | 2,300 | ----- |
| Ultimate (AWS) | $\sigma_{ult AWS}$ | psi | 5,300 | D 3846-02 |



| Properties of Sheet Pile: | | | | |
|----------------------------------|-------|---------------------|------|-------|
| Width | W | inches | 20 | ----- |
| Depth | D | inches | 10 | ----- |
| Thickness | t | inches | 0.34 | ----- |
| Section Modulus | Z | in ³ /ft | 23 | ----- |
| Moment of Inertia | I | in ⁴ /ft | 114 | ----- |
| Radius of Gyration (pair) | r | inches | 4.12 | ----- |
| Area of Web | A_w | in ² | 3.60 | ----- |

The values shown are averages and may vary. No warranties of any kind are made as to the suitability of ESP sheet piling for particular applications



Everlast Synthetic Products, LLC
 1000 Wyngate Pkwy, S-100
 Woodstock, GA 30189
 800-687-0036
 800-687-0048 fax
www.everlastseawalls.com